

STI Low Profile Universal Stopper®



Ideal for
INDOOR &
OUTDOOR
use

KEY FEATURES

General Information

- These indoor and outdoor low profile polycarbonate covers can protect a variety of devices without restricting legitimate operation.
- Three year guarantee against breakage of polycarbonate in normal use (one year on electromechanical and electronic components).

Design

- Prevents false alarms, without hindering legitimate operation of a manual call point in the event of an emergency.

Construction

- Tough polycarbonate housing can withstand severest of knocks.

Installation

- A simple 4 fixing installation can retrofit over existing device.
- Can accommodate flush or surface mount applications.
- Typical working properties of polycarbonate are -40° to 121°C (-40° to 250°F).

Electronics

- Available with or without a 95 dB sounder, powered by a 3V CR123A battery. The sounder draws immediate attention to the area.
- Sounder cartridge has an LED light for an extra visual deterrent.
- Optional 12-24 VDC powered units.

Options

- One breakseal is supplied with each model. Additional breakseals are available for added security.
- Available in a range of colours.
- Custom labelling available.

PRODUCT OVERVIEW

These indoor and outdoor low profile polycarbonate covers protect devices such as manual call points, emergency buttons and dual action pull stations etc., without restricting legitimate operation. The versatile cover offers excellent protection against physical damage (both accidental and intentional), dust and grime as well as severe environments inside and out. The Low Profile Universal Stopper with optional sounder comes with a new LED light in the hood for an extra visual deterrent.

IMPORTANT NOTICE

When used on fire systems, Universal Stopper is intended for areas where the incidence of false fire alarms from manual call points is high or has proven to be a serious problem. Any disadvantage of the device is more than balanced when one considers the consequences of false fire alarms, especially if fire service personnel and equipment are responding to a false fire alarm when they are needed for a real fire somewhere else. Add to this the disruption to the facility when false alarms occur. If you have, or may have, a problem with false fire alarms or physical/weather damage to your fire alarm activation devices, the Universal Stopper could prove invaluable.

STI Low Profile Universal Stopper®

Dimensions and Technical Information

BUILD YOUR OWN MODEL

Cover Options:
 4 = Low profile cover

Mounting Options:
 0 = Flush Mount (Open backed)
 1 = Surface Mount - Clear Spacer (Dual Mount - Open backed)
 6 = European Enclosed Back Box, 20mm Thread Point & Sealed Mounting Plate
 7 = European Enclosed Back Box, 20mm Thread Point & Open Mounting Plate

Hood/Horn Options:
 00 = No Label hood
 10 = Label hood without sounder ★
 20 = Label hood with sounder ★
 30 = Label hood with sounder and relay ★
 ★ All colours except NC

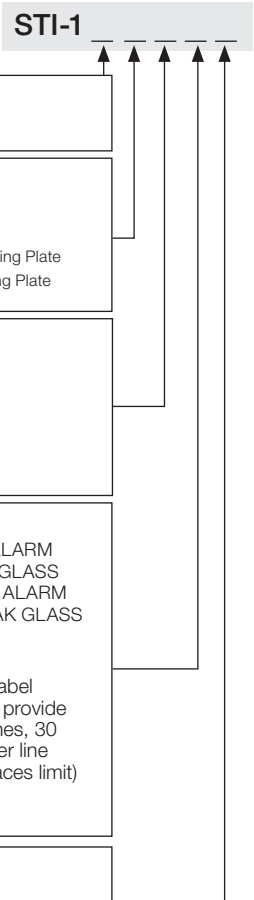
Housing/Sounder Colour & Label Options:
FR (red) - IN CASE OF FIRE - LIFT COVER / ACTIVATE FIRE ALARM
FR-BREAK (red) - IN CASE OF FIRE - LIFT COVER / BREAK GLASS
FR-PULL (red) - IN CASE OF FIRE - LIFT COVER / PULL FIRE ALARM
EG (green) - IN CASE OF EMERGENCY - LIFT COVER / BREAK GLASS TO OPEN DOOR

No Label	Custom Label	For custom label option, must provide wording (2 lines, 30 characters per line including spaces limit)
NB = Blue	CB = Blue	
NC = Clear	CG = Green	
NG = Green	CR = Red	
NR = Red	CW = White	
NW = White	CY = Yellow	
NY = Yellow		

Language Options:

-FR	French	-NL	Dutch
-ES	Spanish	-DE	German

 No additional coding is required for an English label



MODELS AVAILABLE

- STI-14010FR** Universal Stopper, (flush mounted, low profile cover with open back) without sounder, with ACTIVATE FIRE ALARM label
- STI-14120EG** Universal Stopper, (surface mounted, low profile cover with open back) with sounder, with emergency exit label

PLEASE REFER TO BUILD YOUR OWN MODEL TO GENERATE OVER 500 VARIATIONS OF THIS PRODUCT

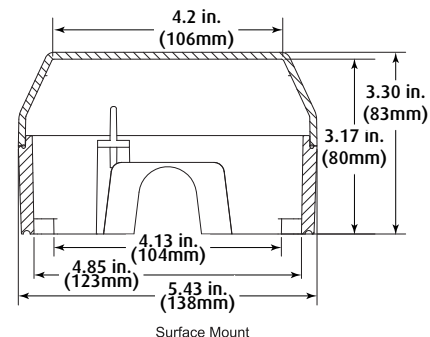
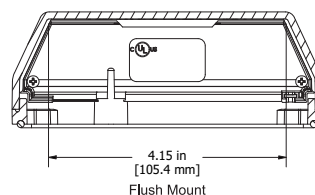
ACCESSORIES:

- STI/BS** Break Seals (Quantity, 10)
- STI-1331** 37mm Spacer
- STI-1314** Universal Stopper Backplate (U.S installation only)
- KIT-319** Remote Wiring Harness for Remote Power
- KIT-EA135** Servicing Pin
- KIT-1402** Replacement Sounder Cartridge (Black only)
- KIT-1403FR** Replacement Red Fire Housing Shell
- KIT-1403EG** Replacement Green Access Control Housing Shell
- KIT-1403*** Replacement Blank Housing Shell
- *Add -NR for Red, -NG for Green, -NB for Blue, -NY for Yellow, -NW for White
- KIT-1403*** Replacement Custom Text Housing Shell
- *Add -CR for Red, -CG for Green, -CB for Blue, -CY for Yellow, -CW for White

DIMENSIONS:

EXTERNAL DIMENSIONS (mm):

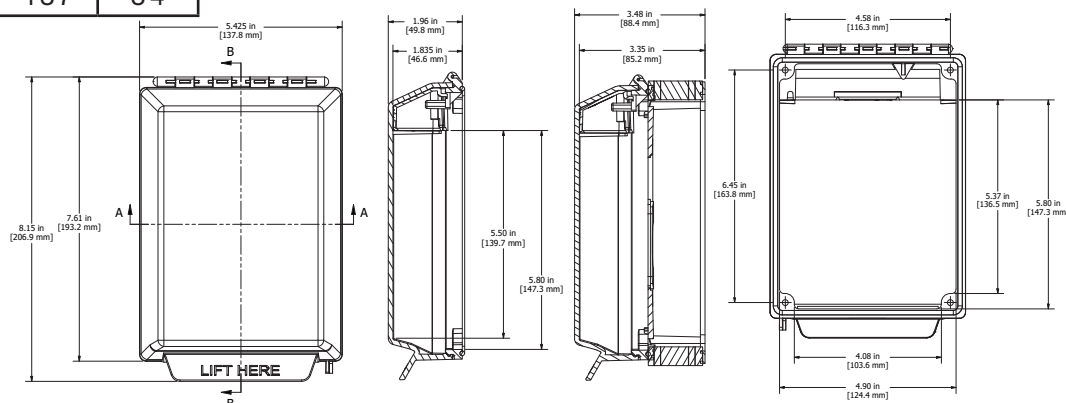
Mounting Option	Height	Width	Depth
Flush	207	137	50
Surface	207	137	88
Enclosed Flush Back Box	207	137	53
Enclosed Back Box	207	137	84



APPROVALS

TESTED AND APPROVED OR LISTED BY:
 · UL/cUL Listed No. S2466

NB: When installed correctly, mounting options 0 and 1 are designed to meet the requirements of IP54. Mounting option 6 meets the requirements of IP66, and mounting option 7 meets the requirements of IP56.



Safety Technology International

Taylor House
 34 Sherwood Road
 Bromsgrove
 Worcestershire
 B60 3DR, England

Tel: +44 (0)1527 520 999
 Fax: +44 (0)1527 501 999
 info@sti-emea.com
 www.sti-emea.com

2306 Airport Road
 Waterford, Michigan
 48327, USA

Tel: 248-673-9898
 Fax: 248-673-1246
 info@sti-usa.com
 www.sti-usa.com