



HSE – Break-glass unit

- HSE – main control unit
- HSE-N – secondary control unit
- HSE – main control unit with buzzer
- BUS HSE – main control unit
- Frame – for flush mounting

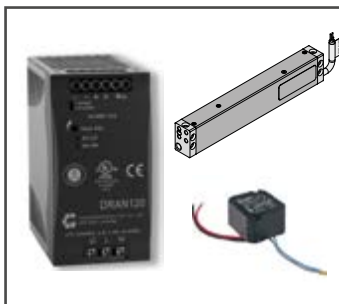
[To the product](#)



Automatic detector

- Optical BUS smoke detector
- Optical smoke detector
- FAS Interface-Module
- Drive line end module
- Heat sensitive fire detector
- Heat sensitive detector clip 70°C

[To the product](#)



Power supply

- NT-DRA240-10 – Power supply 230 V AC / 24 V DC, 5 A
- NT-DRA240-10 – Power supply 230 V AC / 24 V DC, 10 A
- NT-DRA480-20 – Power supply 230 V AC / 24 V DC, 20 A
- Laser Sensor (External power supply)
- Power supply 230 V AC / 24 V DC, 1,5 A

[To the product](#)



Accessories for HSE (Break-glass unit)

- HSE-Empty Housing - Break-glass unit
- Key for plastic Break-glass unit
- Key for aluminium Break-glass unit
- Replacement glass panes for Break-glass unit
- Screw terminals for Break-glass unit

[To the product](#)

ORDER DATA

				Part.-No.
HSE – Break-glass unit main control panel				
Application: Break-glass unit with indicators for manual activation of the Emergency OPEN function and the CLOSE function of a SHEV group via the detector lines of a SHEV Control Unit.				



TECHNICAL DATA (Rated values)

Operating voltage:	24 V DC
Ambient temperature range:	-5°C ... +40°C
Housing - depending on the variant:	Surface mounting, plastic (ABS) Surface mounting, aluminium
Dimensions (WxHxD):	130 x 130 x 32 mm
Connections:	Spring terminals, 0,5 mm ² (rigid wire)
Protection rating:	IP30
Display:	Emergency OPEN, power, fault
Control elements:	Button for Emergency OPEN / Button for CLOSE

Feature/Equipment

- Lockable, glazed door (including key)
- **Connection to the detector line input**
- **The termination resistance is activated or deactivated using a DIP switch**

VERSIONS

HSE orange	Plastic (ABS)	(similar to RAL 2011)	528300		
HSE red	Plastic (ABS)	(similar to RAL 3000)	528301		
HSE yellow	Plastic (ABS)	(similar to RAL 1018)	528302		
HSE blue	Plastic (ABS)	(similar to RAL 5015)	528303		
HSE grey	Plastic (ABS)	(similar to RAL 7035)	528304		
HSE orange	Aluminium	(similar to RAL 2011)	528400		
HSE red	Aluminium	(similar to RAL 3000)	528401		
HSE yellow	Aluminium	(similar to RAL 1018)	528402		
HSE blue	Aluminium	(similar to RAL 5015)	528403		
HSE grey	Aluminium	(similar to RAL 7035)	528404		

ORDER DATA

Part.-No.

HSE-N – Break-glass unit secondary control unit

Application: Break-glass unit with indicators for manual activation of the Emergency OPEN function of a SHEV group via the detector lines of a SHEV Control Unit

**TECHNICAL DATA (Rated values)**

Operating voltage:	24 V DC
Ambient temperature range:	-5°C ... +40°C
Housing - depending on the variant:	Surface mounting, plastic (ABS) Surface mounting, aluminium
Dimensions (WxHxD):	130 x 130 x 32 mm
Connections:	Spring terminals, 0,5 mm ² (rigid wire)
Protection rating:	IP30
Display:	Emergency OPEN
Control elements:	Button for Emergency OPEN

Feature/Equipment

- Lockable, glazed door (including key)
- **Connection to the detector line input**
- **The termination resistance is activated or deactivated using a DIP switch**

VERSIONS

HSE-N orange	Plastic (ABS)	(similar to RAL 2011)	528310		
HSE-N red	Plastic (ABS)	(similar to RAL 3000)	528311		
HSE-N yellow	Plastic (ABS)	(similar to RAL 1018)	528312		
HSE-N blue	Plastic (ABS)	(similar to RAL 5015)	528313		
HSE-N grey	Plastic (ABS)	(similar to RAL 7035)	528314		
HSE-N orange	Aluminium	(similar to RAL 2011)	528410		
HSE-N red	Aluminium	(similar to RAL 3000)	528411		
HSE-N yellow	Aluminium	(similar to RAL 1018)	528412		
HSE-N blue	Aluminium	(similar to RAL 5015)	528413		
HSE-N grey	Aluminium	(similar to RAL 7035)	528414		

ORDER DATA

Part.-No.

HSE – Break-glass unit main control panel - buzzer

Application: Break-glass unit with built-in buzzer and indicators and buttons for the manual activation of the Emergency OPEN function and Emergency CLOSE function of a SHEV group via the detector lines of a SHEV Control Unit. Signal for faults and alarm selectable via DIP switches.



TECHNICAL DATA (Rated values)

Operating voltage: 24 V DC
 Ambient temperature range: -5°C ... +40°C
 Housing - depending on the variant: **Surface mounting, plastic (ABS)**
Surface mounting, aluminium
 Dimensions (WxHxD): 130 x 130 x 32 mm
 Connections: Spring terminals, 0,5 mm² (rigid wire)
 Protection rating: IP30
 Display: Emergency OPEN, power, fault
 Control elements: Button for Emergency OPEN / Button for CLOSE

SUMMER

Feature/Equipment

- Built-in buzzer
- Lockable, glazed door (including key)
- **Connection to the detector line input**
- **The termination resistance is activated or deactivated using a DIP switch**
- **Signal for faults and alarm selectable via DIP switches.**

VERSIONS

HSE-Summer orange	Plastic (ABS)	(similar to RAL 2011)	528320		
HSE-Summer red	Plastic (ABS)	(similar to RAL 3000)	528321		
HSE-Summer yellow	Plastic (ABS)	(similar to RAL 1018)	528322		
HSE-Summer blue	Plastic (ABS)	(similar to RAL 5015)	528323		
HSE-Summer grey	Plastic (ABS)	(similar to RAL 7035)	528324		
HSE-Summer orange	Aluminium	(similar to RAL 2011)	528420		
HSE-Summer red	Aluminium	(similar to RAL 3000)	528421		
HSE-Summer yellow	Aluminium	(similar to RAL 1018)	528422		
HSE-Summer blue	Aluminium	(similar to RAL 5015)	528423		
HSE-Summer grey	Aluminium	(similar to RAL 7035)	528424		

ORDER DATA

Part.-No.

HSE – Break-glass unit main control panel

Application: Break-glass unit with indicators and buttons for the manual activation of the Emergency OPEN function and CLOSE function of a SHEV group, for connection in the BUS line of a Control Unit.

**TECHNICAL DATA (Rated values)**

Operating voltage:	24 V DC
Ambient temperature range:	-5°C ... + 40°C
Housing - depending on the variant:	Surface mounting, plastic (ABS) Surface mounting, aluminium
Dimensions (WxHxD):	130 x 130 x 32 mm
Connections:	BUS terminal, 2 x Ø0,8 mm
Protection rating:	IP30
Display:	Emergency OPEN, power, fault
Control elements:	Button for Emergency OPEN / Button for CLOSE
Connection possibility:	Ventilation push button - input Screw terminal, 1,0 mm ² (rigid wire)

BUS

Feature/Equipment

- Lockable, glazed door (including key)
- Connection to the detector line input

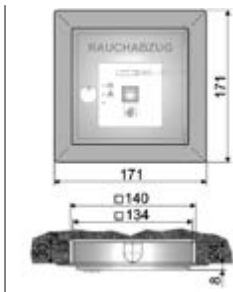
VERSIONS

BUS-HSE orange	Plastic (ABS)	(similar to RAL 2011)	528330		
BUS-HSE red	Plastic (ABS)	(similar to RAL 3000)	528331		
BUS-HSE yellow	Plastic (ABS)	(similar to RAL 1018)	528332		
BUS-HSE blue	Plastic (ABS)	(similar to RAL 5015)	528333		
BUS-HSE grey	Plastic (ABS)	(similar to RAL 7035)	528334		
BUS-HSE orange	Aluminium	(similar to RAL 2011)	528430		
BUS-HSE red	Aluminium	(similar to RAL 3000)	528431		
BUS-HSE yellow	Aluminium	(similar to RAL 1018)	528432		
BUS-HSE blue	Aluminium	(similar to RAL 5015)	528433		
BUS-HSE grey	Aluminium	(similar to RAL 7035)	528434		

HSE – Frame for flush mounting

528015

Application: Flush mounting of break-glass units.

**TECHNICAL DATA**

Housing:	Surface mounting, steel sheet
Dimensions (WxHxD):	171 x 171 x 26 mm
Surface:	powder-coated in light grey without structure
Installation Dimensions:	140 x 140 x 30 mm

ALU

Feature/Equipment

- Suitable for break-glass units (130 x 130 x 32 mm) - until 2023 only for HSE in version „ABS“ (plastic housing)
- from 2023 for all HSE

ORDER DATA

	Part.-No.
Optical BUS-smoke detector	531530
Application: BUS-smoke detector for the automatic early detection of fire for controlling of the EMERGENCY OPEN function via the BUS detector line of the EMB 8000+ , with smoke generation in the monitored area.	



TECHNICAL DATA (Rated values)

Measuring element:	photo electric / scattered light principle
Operating voltage:	24 V DC via BUS
Standby current:	< 110 µA
Housing:	Surface mounting, plastic (ABS), signal white (similar to RAL 9003)
Dimensions (WxHxD):	Ø120 x 60 mm
Connections:	Screw terminals 1,0 mm ² (rigid wire)
Protection rating:	IP30
Ambient temperature range:	-10°C ... +55°C
Display:	Alarm LED

BUS

Feature/Equipment

- Fire algorithms for avoiding false alarms, automatic alarm threshold tracking
- According to EN 54-7, Connection to the **BUS detector line input**
- **VdS certification no. G 209219**

Optical smoke detector	531520
Application: Smoke detector for the automatic early detection of fire for controlling of the EMERGENCY OPEN function via a detector line of SHEV Control Units, with smoke generation in the monitored area.	



TECHNICAL DATA (Rated values)

Measuring element:	photo electric / scattered light principle
Operating voltage:	8,5 – 33 V DC
Standby current:	< 100 µA
Housing:	Surface mounting, plastic (ABS), pearl white
Dimensions (WxHxD):	Ø100 x 50 mm
Connections:	Screw terminals 1,0 mm ² (rigid wire)
Protection rating:	IP23D
Display:	Alarm LED

Feature/Equipment

- Fire algorithms for avoiding false alarms, automatic alarm threshold tracking
- According to EN 54-7, connection to the **detector line input**

ACCESSORIES

Ball protection (chromed steel grid) e.g. use in sporthalls	513546
---	---------------

FAS Interface-Module	670053
Application: Module for automatically triggering of the Emergency-OPEN function of a SHEV Control Unit via a volt free contact of the fire alarm system.	



TECHNICAL DATA (Rated values)

Operating voltage:	24 V DC
Standby consumption:	< 10 mA
Ambient temperature range:	0 ... +40 °C
Housing:	without, equipped circuit board
Dimensions (WxHxD):	27 x 19 x 13 mm
Connections:	Screw terminal 1,5 mm ² (rigid wire)
FAS contact:	Normal open switch at alarm status

Feature/Equipment:

- For connection to **detector line input** of SHEV Control Units, with line monitoring between Control Unit and module

ORDER DATA

		Part.-No.	
Drive line end module		670052	
Application: For installation in the last or only junction box for the line monitoring of drive line.			

**TECHNICAL DATA (Rated values)**

Operating voltage:	24 V DC (+/-5%)
Standby consumption:	<10 mA
Ambient temperature range:	0 ... +70 °C
Housing:	without, equipped circuit board
Dimensions (WxHxD):	27 x 19 x 13 mm
Connections:	3 single cores

Feature/Equipment

- For connection into **drive line** of SHEV Control Units

Heat sensitive fire detector

Application: Heat detector for the automatic control of the emergency open function of a SHEV group of a SHEV Control Unit.

**TECHNICAL DATA (Rated values)**

Measuring element:	Bimetal switch
Operating voltage:	24 V DC
Contact load:	48 V DC / 0,5 A
Standby current:	< 10 mA
Housing:	Surface mounting, plastic (ABS), white
Dimensions (WxHxD):	Ø56 x 77 mm
Connections:	Screw terminals 1,0 mm² (rigid wire)
Protection rating:	IP20

Feature/Equipment

- With base for surface mounting

VERSIONS

Connection in detector line	NO switch 70°C	533205	
Connection in drive line	NC switch 70°C	533200	

Heat sensitive detector clip 70°C**533201**

Application: Heat detector for controlling of the emergency open function of a SHEV group, for connection in the drive line.

**TECHNICAL DATA (Rated values)**

Measuring element:	Bimetal switch with ceramic housing
Operating voltage:	24 V DC
Contact type:	NC switch at 70°C
Contact load:	48 V DC / 0,5 A
Standby current:	< 10 mA

Feature/Equipment

- No housing, connection in the **monitoring line of the drive output** of a SHEV Control Unit

ORDER DATA

		Part.-No.
NT-DRAN120-5 – Power supply 230 V AC / 24 V DC, 5 A		680005

Application: Switching power supply for fixing on 35-mm mounting rail or external power supply of the ventilation modules LZA and LZH.



TECHNICAL DATA (Rated values)

Operating voltage: 230 V AC (195 – 253 V AC, 50/60 Hz)
 Power consumption max. : 322 W
 Output voltage: 24 V DC (20 – 28 V DC / 0,5 Vpp)
 Output current: **5 A**
 Ambient temperature range: -5°C ... + 40°C
 Housing: for fixing on 35-mm mounting rail
 Dimensions (WxHxD): 65 x 95 x 123 mm

Feature/Equipment

- For installation in a control cabinet or comparable housing.

NT-DRA240-10 – Power supply 230 V AC / 24 V DC, 10 A		680010
---	--	---------------

Application: Replacement switching power supply for voltage supply without reversal polarity - for fixing on 35-mm mounting rail - in EMB7300 and EMB8000+.



TECHNICAL DATA (Rated values)

Operating voltage: 230 V AC (195 - 253 V AC, 50/60 Hz)
 Output voltage: 24 V DC (20 – 28 V DC / 0,5 Vpp)
 Output current: **10 A**
 Ambient temperature range: -5°C ... + 40°C
 Housing: for fixing on 35-mm mounting rail
 Dimensions (WxHxD): 125 x 84 x 124 mm

Feature/Equipment

- For installation in a control cabinet or comparable housing.

NT-DRA480-20 – Power supply 230 V AC / 24 V DC, 20 A		680024
---	--	---------------

Application: Replacement switching power supply for voltage supply without reversal polarity - for fixing on 35-mm mounting rail - in EMB7300 and EMB8000+.



TECHNICAL DATA (Rated values)

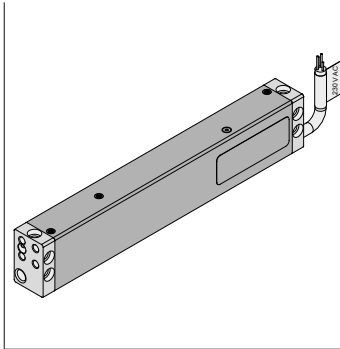
Operating voltage: 230 V AC (195 - 253 V AC, 50/60 Hz)
 Output voltage: 24 V DC (20 – 28 V DC / 0,5 Vpp)
 Output current: **20 A**
 Ambient temperature range: -5°C ... + 40°C
 Housing: for fixing on 35-mm mounting rail
 Dimensions (WxHxD): 125 x 176 x 124 mm

Feature/Equipment

- For installation in a control cabinet or comparable housing.

ORDER DATA

		Part.-No.
Laser Sensor (External power supply)		680027
Application:	External Power Supply NT-S-2 KS2/KSA - 230 V AC / 24 V DC factory installed in KS2 chain drive housing. For power supply and control of SKL3 flatscan and flat scan sensor.	

**TECHNICAL DATA (Rated values)**

Operating voltage:	230 V AC (195 – 253 V AC, 50/60 Hz)
Record measurement:	30 W
Output voltage:	24 V DC (20 – 28 V DC / 2 Vpp)
Output current:	2,0 A
Output:	1x drive line - 24 V DC / 2,0 A 1x continuous current - 24 V DC / 0,2 A
Connections:	24 V DC drive, up to max. 2,0 A 24 V DC continuous current, up to max. 0,2 A
Connection cable:	non-halogen, grey 6 x 0,75 mm ² , length 3 meters maximum extendable to 25 meters in length
Housing:	aluminium natural anodized
Dimensions (WxHxD):	41 x 26 x 230 mm
Connection terminals:	screw terminals 1,0 mm ² (rigid wire)
Protection rating:	IP 32

Feature/Equipment

- Factory installed in the housing of a KS2 chain drive.

Power supply 230 V AC / 24 V DC, 1,5 A	660049
Application:	Switching power supply for 24 V DC drives for daily ventilation or corresponding accessories.

**TECHNICAL DATA (Rated values)**

Operating voltage:	195 – 265 V AC (50/60 Hz)
Power consumption max.:	36 W
Output voltage:	24 V DC (+/- 5% / 0,31 Vpp)
Output current max.:	1,5 A
Ambient temperature range:	-10°C ... +50°C
Housing:	Closed design – suitable for deep flush-mounted boxes
Dimensions (WxHxD):	54 x 52 x 32 mm
Special feature:	open cable ends

NEW**Feature/Equipment**

- For installation in a deep flush-mounted box or control cabinet or comparable housing.

ORDER DATA

				Part.-No.
HSE-Empty Housing - Break-glass unit				
Application: HSE-Empty Housing with lockable, glazed door - including key.				



TECHNICAL DATA (Rated values)

Housing - depending on the variant: **Surface mounting, plastic (ABS)**
Surface mounting, aluminium
 Dimensions (WxHxD): 130 x 130 x 32 mm

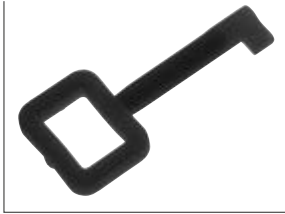
**Compatible with:
HSE Design 2023**

VERSIONS					
HSE-Empty Housing orange	Plastic (ABS)	(similar to RAL 2011)		528380	
HSE-Empty Housing red	Plastic (ABS)	(similar to RAL 3000)		528381	
HSE-Empty Housing yellow	Plastic (ABS)	(similar to RAL 1018)		528382	
HSE-Empty Housing blue	Plastic (ABS)	(similar to RAL 5015)		528383	
HSE-Empty Housing grey	Plastic (ABS)	(similar to RAL 7035)		528384	
HSE-Empty Housing orange	Aluminium	(similar to RAL 2011)		528480	
HSE-Empty Housing red	Aluminium	(similar to RAL 3000)		528481	
HSE-Empty Housing yellow	Aluminium	(similar to RAL 1018)		528482	
HSE-Empty Housing blue	Aluminium	(similar to RAL 5015)		528483	
HSE-Empty Housing grey	Aluminium	(similar to RAL 7035)		528484	

ORDER DATA

	Part.-No.
Key for plastic Break-glass unit (HSE plastic button)	527007

Application: The plastic Break-glass units (HSE plastic button) have a lockable door.
The key is used to open or close this door.

**TECHNICAL DATA**

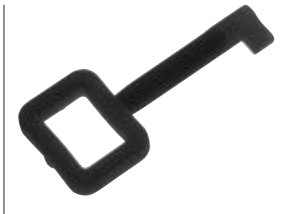
Function: for plastic Break-glass unit (HSE plastic button)
Material: Polyamid PA 6.6
Colour: white
Key: 1 piece

Feature/Equipment

- Suitable for all **AUMÜLLER** plastic Break-glass unit (HSE plastic buttons)

Key for aluminium Break-glass unit (HSE aluminium button)	527008
--	---------------

Application: The aluminium Break-glass units (HSE aluminium button) have a lockable door.
The key is used to open or close this door.

**TECHNICAL DATA**

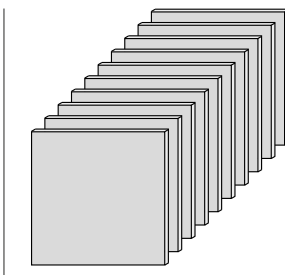
Function: for aluminium Break-glass unit (HSE aluminium button)
Material: Metal
Type: Schl-HM/10
Keys: 10 pieces

Feature/Equipment

- Suitable for all **AUMÜLLER** aluminium Break-glass unit (HSE aluminium buttons)

Replacement glass panes for Break-glass unit (HSE button)	527002
--	---------------

Application: Panes of glass for replacement on site.

**TECHNICAL DATA**

Dimensions (W x H x D): 80 x 80 x 0,7
Glass panes: 10 pieces

Feature/Equipment

- Suitable for all **AUMÜLLER** Break-glass unit (HSE buttons)

Screw terminals for Break-glass unit (HSE button)	528499
--	---------------

Application: Screw terminal for cables up to a cross section of 1,5 mm².

**TECHNICAL DATA**

Connections: Cable up to 1,5 mm²
7-pin
Screw terminals: 10 pieces

**Compatible with:
HSE Design 2023**

Feature/Equipment

- Suitable for **AUMÜLLER** Break-glass unit (HSE buttons) Design 2023